

Will-Fill is a patented and innovative solution that equips metalworking machines with a unique add-on. Will-Fill monitors and reports on the metalworking fluid as it fills and refills it. Thus Will-Fill relieves the workload of the operator and reduces the ecological footprint of your production. Operating costs are reduced and the effectiveness of your investments is increased.

TECHNICAL INFO

Electrical connection: 220V 3A

Control/drive: 24V DC

Water connection: push-in coupling 16 mm hose

Incoming water pressure range: 1 – 7 Bar

Oil connection: push-in coupling 10 mm hose

Oil pump self-priming: < 6 m

Mixing capacity: ± 800 litres/hour

Wi-Fi: 2.4 GHz

RGB LED status

Alarm buzzer: 85 dB

Operating temperature: 5 – 45° C

MEASUREMENTS

Brix: 0 to 35

pH: 0 to 14

Temperature: -5 to 45° C

EC: 0.5 uS/cm to 200 mS/cm

Water level: ± 5 mm

H2O consumption: ± 2 litres



Automated Metalworking Fluid Control

INTERESTED?

E-mail sales@will-fill.com

www.will-fill.com



Automated Metalworking Fluid Control

Will-Fill bvba
Aarschotsesteenweg 115
3111 Wezemaal Belgium
T +32 16 20 62 91

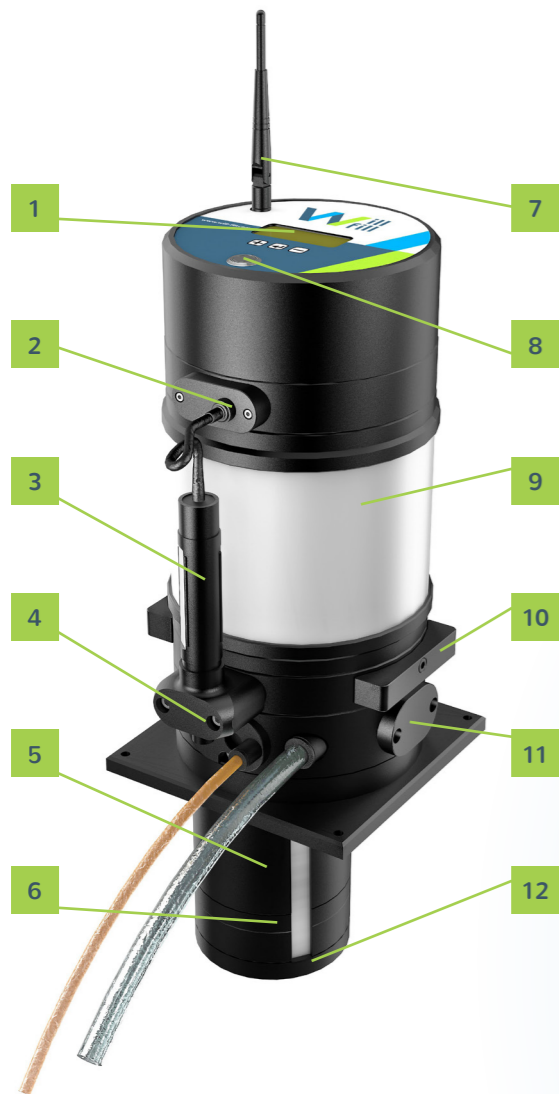




Will-Fill supplies metalworking machines with a unique add-on that relieves operator workload and reduces the ecological footprint of your production.

The fully automatic control unit monitors the quality of the coolant in your metalworking machine. The optimal fluid level is maintained by automated filling processes and measurements configured to your specific needs.

When the quality of the metalworking fluid changes, Will-Fill can adjust it or notify you when action is needed.



BENEFITS

- Always a clean workplace
- Done with time-consuming measurements and refilling
- Never run out of coolant again
- No more odour nuisance and skin irritations
- No erosion on finished products

1. **Ticker display** immediately shows all info
2. **Computer control**
3. External **pH probe** for easy recalibration
4. Self-priming **oil pump**
5. **Measuring and mixing chamber**
6. Adjustable **level sensor**
7. **Wi-Fi antenna**
8. **On-off switch** with internal shutdown procedures
9. **LED and buzzer indication**
10. **Handles** for easy assembly
11. Built-in **water meter**
12. **Intake filter**

Due to possible large coolant level differences in your production process, Will-Fill has **developed different versions**. Models D120, D220 and D520 can detect level fluctuations of 120, 220 to 520 mm respectively.

D120



D220

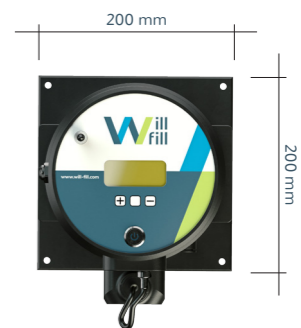


D520



FEATURES

- Works with any type of metalworking fluid and water pressure
- Fills and re-fills automatically to the level and concentration specified by you
- Calibrates the sensors to the connected metalworking fluid and water supply
- Measures and reports up to 7 values for your metalworking fluid
- Online dashboard for offside monitoring
- Records the consumption of metalworking emulsion and water, enabling accurate cost control
- Limit values can be set for planning maintenance before your metalworking fluid becomes contaminated
- Detects an abnormal fluid level that can indicate a malfunction or leakage in the connected machine
- Sends e-mail notifications of each event



Thanks to its compact design, Will-Fill can be easily installed in both existing and new metalworking fluid systems.